

PURCHASE ORDER

**CAC CORE INFORMATION
TURN UP HEADER**

PO#

DATE

NOTE / APPLICATION & SERIAL NUMBER

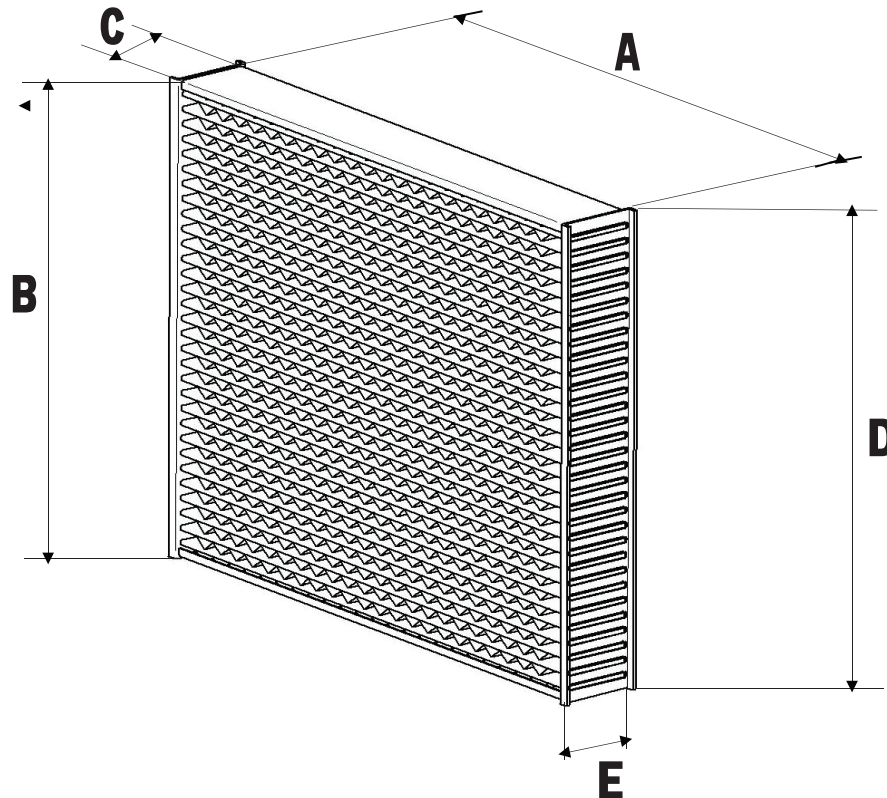
ITEM DESCRIPTION

REQUIRED DIMENSIONS

- A CORE HEIGHT (HEADER TO HEADER)
- B CORE WIDTH
- C CORE THICKNESS *
- D HEADER LENGTH
- E HEADER WIDTH (INSIDE)
- F FINS PER INCH **
- G FINS LOUVERED OR DIMPLED

UNIT OF MEASURE : INCHES

QUOTE	ORDER
-------	-------



AVAILABILITY

- * 1 5/8
- 2
- 2 1/4
- 2 5/8
- 3
- 4 et plus
- ** 9,10,11,12,13

FROM

TEL

FAX