

# PURCHASE ORDER

**RADIATOR CORE INFORMATION**  
**TURN UP HEADER**

PO#

DATE

NOTE / APPLICATION & SERIAL NUMBER

ITEM DESCRIPTION

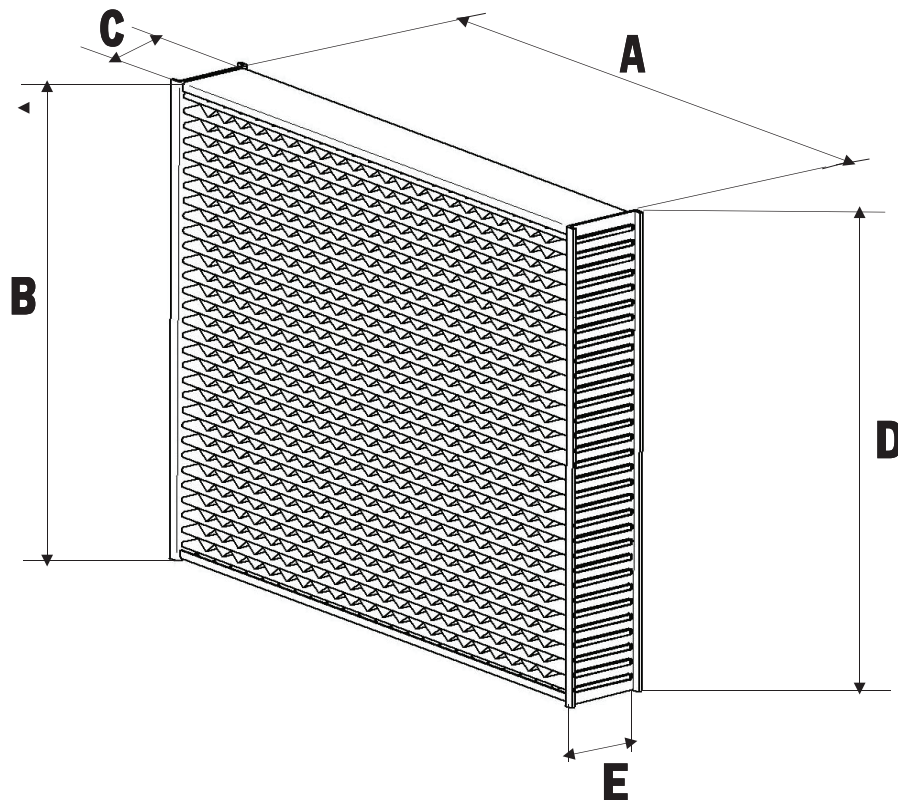
REQUIRED DIMENSIONS

\_\_\_\_\_  
\_\_\_\_\_  
\_\_\_\_\_  
\_\_\_\_\_  
\_\_\_\_\_  
\_\_\_\_\_  
\_\_\_\_\_

- A CORE HEIGHT ( HEADER TO HEADER )
  - B CORE WIDTH
  - C CORE THICKNESS \*
  - D HEADER LENGTH
  - E HEADER WIDTH ( INSIDE )
  - F FINS PER INCH \*\*
  - G FINS LOUVERED OR DIMPLED
  - H PRESSURE ( PSI )
- UNIT OF MEASURE : INCHES

IMPORTANT

QUOTE	ORDER
-------	-------



- AVAILABILITY
- \* 1.00
  - 2.00
  - 3.05
  - 4.05
  - 4.5 ET PLUS

FROM

TEL

\_\_\_\_\_  
\_\_\_\_\_

FAX