

SKL Quality

- Entirely made of aluminium
- Custom designed to ensure the accurate efficiency of each heat exchanger
- Extruded tubes provide a higher structural resistance
- Complies with OEM and motorist's heat exchange requirement and more
- Our product is light weight and recyclable
- Tube designed for additional reinforcement
- Effectively reduces fuel emissions and overall consumption (Governmental standards)
- Aluminium heat exchangers are more efficiency than standard copper units
- All SKL products come with a 1 year warranty



SKL ALUMINIUM COOLING PACKAGE

HEAT TRANSFER SPECIALIST SKL is a manufacturer specialized in the development of aluminium heat exchangers for markets such as OEM's to the after-market. Our product line is composed mainly of radiators, oil and charge air coolers for existing and non existing applications (custom built). Our research and development department have a mandate to constantly improve the quality of our products; guaranteeing our customers innovative and effective solutions.

SKL
ALUMINIUM

SOLUTION IN A BREEZE.



**LET A COOL
BREEZE
TAKE OVER
THE HEAT**

PERSONALISE YOUR COOLING SYSTEM!

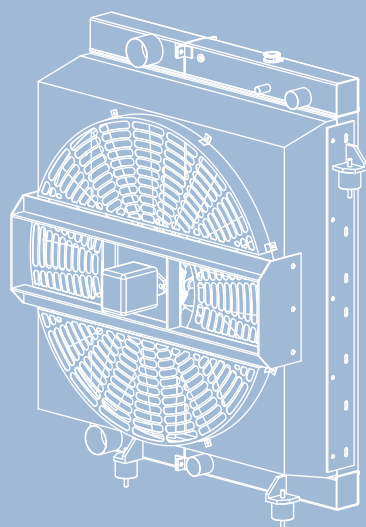
We have the knowledge and ability to conceive a cooling system according to your specifications and requirements.

Are you questioning how efficient your present heat exchanger is? Would you like to optimize an already existing cooling system? Better yet, innovate in order to increase the performance....

We have the required expertise to help you develop a specific cooling system for your exact needs.



SOLUTION IN A BREEZE



Options

- An anticorrosive surface coating by electrostatic is also available for heat exchangers working in different environmental constraints. A

CHARACTERISTICS OF SKL PRODUCTS

Headers designed according to strict tolerance specifications, allowing precise assembly, which ensures a perfect seal. For each application, fin options are calculated to assure heat transfer requirements are met.

Extruded tubes developed to ensure a structural resistance, allowing enhancement in heat transfer.

To assemble these components, assembly tables have been designed and built by SKL according to our

AL¹³
Made in aluminium



100% recyclable



Environmentally Friendly

PREVOST



We supply the leaders of the industry

specifications. Not only are these tables exceptionally precise but they are also a very flexible tool allowing us to build different sizes of units.

SKL heat exchangers are subjected to strict testing through all production stages, ensuring the high quality SKL is known for.

Our technology guarantees a unique level of brazing

CERTIFIED ISO 9001:2000

SKL
ALUMINIUM

SKL ALUMINIUM
3161, boul. du Royaume
Jonquière (Québec)
Canada G7X 7V3

Phone : 418.548.1881
Toll Free : 1.888.548.1882
Fax : 418.548.8945
www.webskl.com